



Lampholder series 26.614 for H0 and HE seamless lamps  
Light without shadows



Your Connection to Light



Lampholders for continuous light fittings.

## Lampholder 26.614 for HO and HE seamless lamps

### Prerequisites...

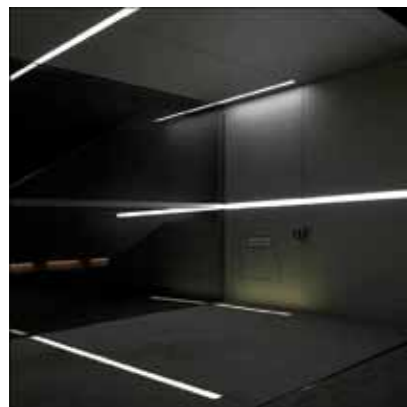
- IEC and UL approved lampholder
- Compact design with tried and tested connecting geometry
- Allows continuous lighting to be achieved without shadows or dark spots
- Slot concept without rotor for insertion and removal of lamp
- Extremely slim fittings of approx. 20 mm are possible
- Combi-system for different fixing options
- Lamp tube support when wall mounted



## Developed for small fitting design

**26.614 G5 lampholder for HO and HE seamless lamps.** Seamless light runs without dark spots between the individual lamps and housings with only 20 mm width are now possible with our new lampholders 26.614 in combination with the HO and HE seamless lamps.

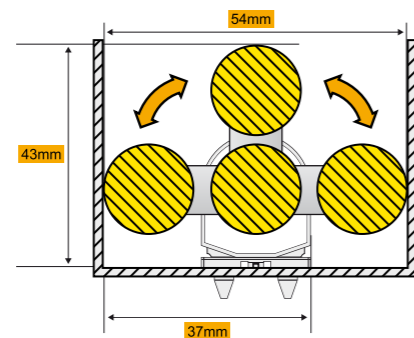
The seamless lamp series has in the meanwhile been expanded by a HE-range, which delivers the same luminance at different wattages. It is now possible to realize light runs, where the individual elements have different lengths, without introducing fluctuations in brightness. With only 5 mm distance (end to end), annoying shadows between the individual fittings are avoided. Conventional T5 lamps need however, at least 40 mm free space between individual elements of a lighting run.



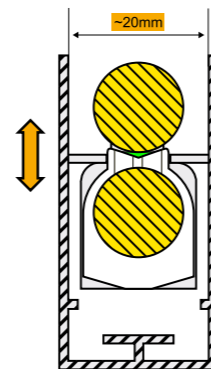
Seamless HO lamps are available in wattages 24 W, 39 W and 54 W with an average life span of 12,000 hours. The wattages of the HE version are 14 W, 21 W and 28 W with a life span of 18,000 hours. The light colors are 830, 840 and 865, the dimming (39 W and 54 W) is between 1 to 100 percent.

Field of application for this technique is architectural lighting where runs of uninterrupted light is required.

Required installation space, when using standard versions: 37 mm for asymmetric, 54 mm for symmetrical positioning of the lamp.

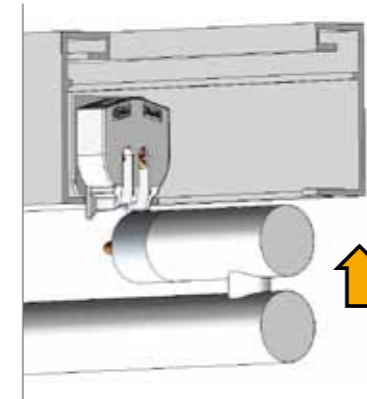


Only 20 mm space is needed when using lampholder 26.614. With this dimension the narrow widths often demanded by architects and specifiers can be achieved.

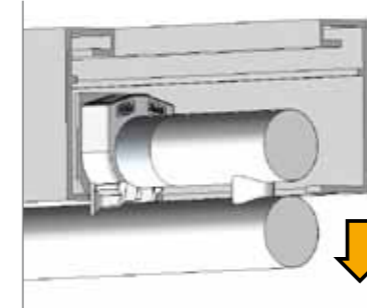


## To put an end to living in the shadow







### Lamp insertion

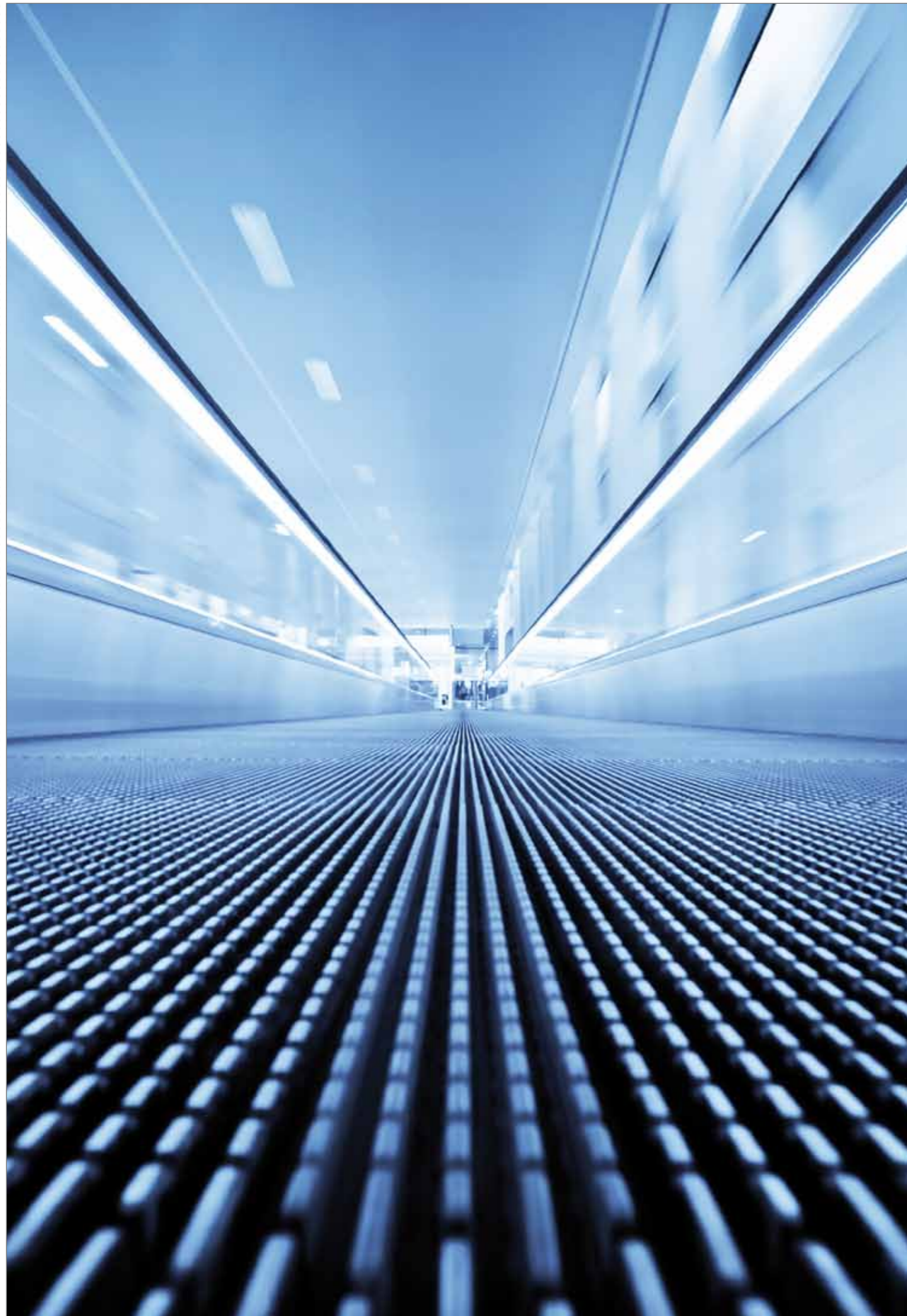


### Lamp removal



### Fixing options

	
Push through lampholder 26.614 LC 20 mm	Push through lampholder 26.614 LC 25 mm
	
Push in lampholder 26.614 LC 15 mm	Push in lampholder 26.614 LC 15 mm
	
Push in lampholder 26.614 LC 11.5 mm Snap in foot 10 x 20 mm	Push in lampholder 26.614 LC 11.5 mm Snap in foot 10 x 20 mm



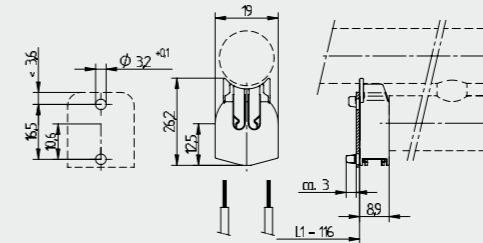
## Fluorescent lampholders

26.614

### G5 Push in lampholders



pkg. wt. part no.  
500 3 g **26.614.1001.50**



Snap in pins vertical

Housing: PBT

Without rotor

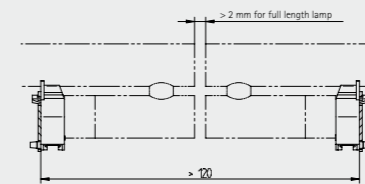
Lampholder thickness: 9.2 mm

Approval: additional cULus (660W/600V)

Wiring: through the body

- End fixing lampholder for OSRAM Seamless lamps

L1-116: Recommended dimension - The distance between the cut-outs and the tolerance should be governed by the dimensions of the respective lamps and luminaires.



## Symbols

T 140 Temperature rating

Tm 110 Temperature rating

Twin push wire terminals

For solid conductors within the cross sectional range stated

Material thickness, in mm

CAD data available

BJB GmbH & Co. KG · Werler Str. 1 · 59755 Arnsberg · Germany  
Telephone +49 2932 982-0 · Fax +49 2932 982-8201  
info@bjb.com · www.bjb.com



Your Connection to Light